



# GOVERNOR

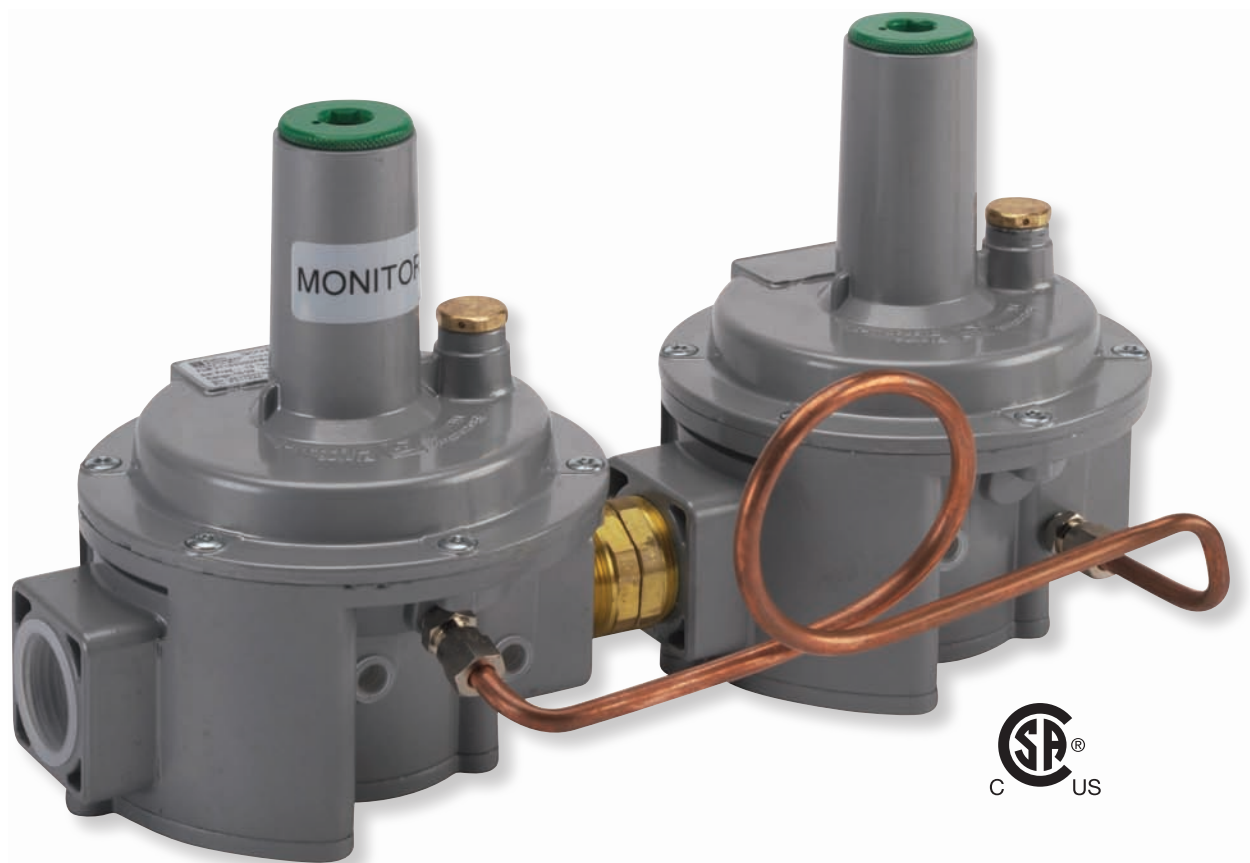
Line Pressure Regulators  
w/Over Pressure Device {OPD}

5 PSIG  
1/2 - 1"

## Safe, Reliable and High Performance

- CSA approved external vent limiter for indoor installations\*
- MONITOR regulator for Over Pressure Protection
- MONITOR set point is adjustable to maximize downstream protection
- Double diaphragm with internal vent limiter for added safety and greater reliability of service
- Balanced valve design for increased capacity, high 500 to 1 turndown and stable regulation from low to high flow
- Complete lockup in absence of gas flow
- Weather Cap for Outdoor Installations

## For Natural Gas & Propane



 **Pietro  
Fiorentini**®

**GOVERNOR**  
Over Pressure Device {OPD} Model



**GOVERNOR LINE PRESSURE REGULATOR WITH OVER PRESSURE DEVICE (OPD)  
CAPACITY IN CFH FOR .60 SPECIFIC GRAVITY GAS**

	Outlet Pressure Set Point		Operating Inlet Pressure		
	8" W.C.	11" W.C.	1 PSIG	2 PSIG	5 PSIG
<b>30051DC 1/2"</b>	8" W.C.	11" W.C.	635	928	928
	11" W.C.	14" W.C.	628	928	928
	14" W.C.		558	928	928
<b>30052 DC 3/4"</b>	Outlet Pressure Set Point		Operating Inlet Pressure		
	8" W.C.	11" W.C.	848	1,115	1,115
	11" W.C.	14" W.C.	778	1,115	1,115
<b>30053DC 1"</b>	Outlet Pressure Set Point		Operating Inlet Pressure		
	8" W.C.	11" W.C.	1,059	1,501	1,501
	11" W.C.	14" W.C.	1,093	1,501	1,501
<b>30150DC 1/2" High Capacity</b>	Outlet Pressure Set Point		Operating Inlet Pressure		
	8" W.C.	11" W.C.	1,695	2,205	2,205
	11" W.C.	14" W.C.	1,471	2,205	2,205
<b>30151DC 3/4" High Capacity</b>	Outlet Pressure Set Point		Operating Inlet Pressure		
	8" W.C.	11" W.C.	2,084	2,785	2,785
	11" W.C.	14" W.C.	1,858	2,785	2,785
<b>30152DC 1" High Capacity</b>	Outlet Pressure Set Point		Operating Inlet Pressure		
	8" W.C.	11" W.C.	2,437	3,308	3,308
	11" W.C.	14" W.C.	2,206	3,308	3,308

**Materials**

- Body & Cover: Aluminum Alloy
- External Coatings: Polyurethane paint on request
- Diaphragm, O Rings & Valve: Nitrile Rubber
- Diaphragm Pan: Aluminized Steel

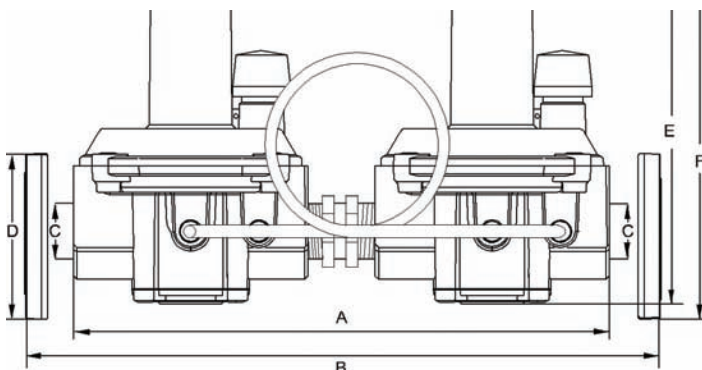
**Outlet Spring Ranges**

- Green 2" W.C. to 5.1" W.C.
- Red 2.75" W.C. to 7.87" W.C.
- White 4" W.C. to 11.8" W.C.
- Black 6" W.C. to 14" W.C.
- Yellow 9.8" W.C. to 1 PSIG

**Vent Sizes**

- 1/4" NPT 1/2 – 1"
- 1/2" NPT 1 1/4 – 4"

**Inlet Pressure Max. 5 PSIG**



**DIMENSIONS (IN INCHES)**

Model #	Size	A	B	C	D	E	F	Weight (Lbs)
<b>30051</b>	1/2" NPT	8.86	-	1/2	-	5.59	-	3.25
<b>30052</b>	3/4" NPT	8.86	-	3/4	-	5.59	-	3.25
<b>30053</b>	1" NPT	8.86	-	1	-	5.59	-	3.25
<b>30150</b>	1/2" NPT	11.22	-	1/2	-	6.89	-	5.75
<b>30151</b>	3/4" NPT	11.22	-	3/4	-	6.89	-	5.75
<b>30152</b>	1" NPT	11.22	-	1	-	6.89	-	5.75
<b>30153</b>	1 1/4" NPT	16.61	-	1 1/4	-	10	-	15.5
<b>30154</b>	1 1/2" NPT	16.61	-	1 1/2	-	10	-	15.5
<b>30155</b>	2" NPT	19.88	-	2	-	12.44	13.74	25
<b>30157/F</b>	3" FLANGED	-	33.93	3	ANSI 150	-	17.09	56
<b>30158/F</b>	4" FLANGED	-	33.93	4	ANSI 150	-	19.76	56